

LANTERN ROOF ORDER/QUOTE FORM



Please tick for
quote only

Page ___ of ___.

Aluminium Direct Fax: 01453 827801

E-mail Orders: ali.scheduler@customade.co.uk

Company Name (Acc No): _____

Signature: _____

Preferred Delivery Date: _____

Print Name: _____

Order Ref: _____

Date: _____ E-mail confirmation: _____

Please Circle Items Required

Colour: White / Grey (7016M) / Black (9005M) /
 Dual - Grey External (M) & White Internal

Pitch: 25 Degrees only

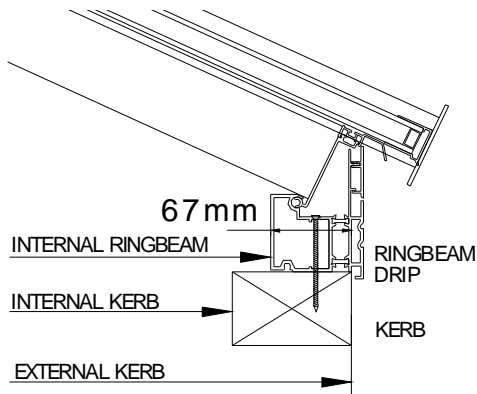
24mm Tough, Low-E, Argon, Blk Spacer, DGU Glass spec:
 Unglazed / Self Clean Solar Blue / Self Clean Solar Neutral

Please Circle Items Required

Roof Vent Qty: _____ Spindle colour: Chrome / Brass

Roof Vent Type (note: aluminium external - PVC internal):

- Manual with pole
- Electric - wall rocker switch
- Electric - Rain Sensor & Therm. Control Analogue
- Electric - Rain Sensor & Therm. Control Digital



External Ringbeam Dimension: (max size 2500 x 4000mm)

Width: _____ Length: _____

Aluminium Cill: None / 150mm / 190mm / 225mm

Please sketch Lantern requirement below (plan view) showing roof vent positions if applicable;