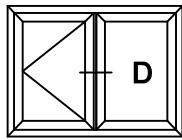


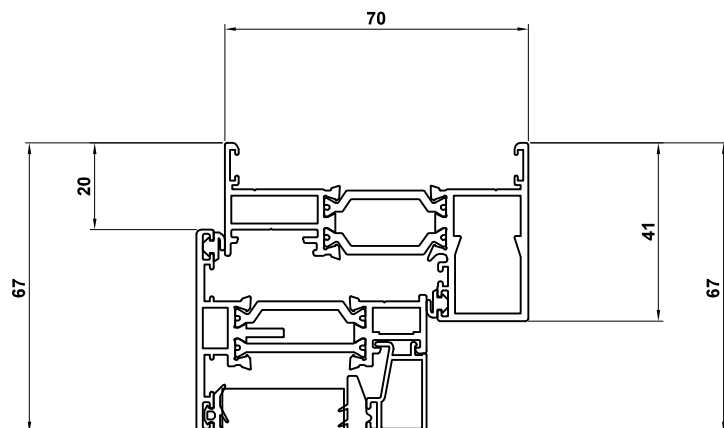
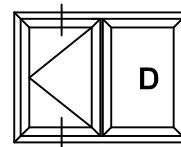
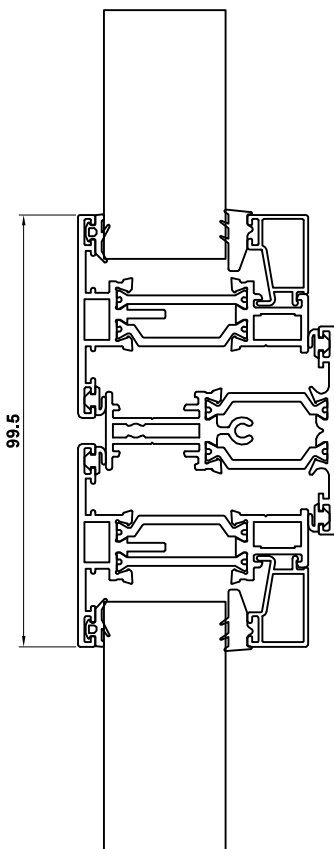
# Casement Window Assembly Drawings

## System 1

Contemporary Frame | Internally Glazed | Flat Sash

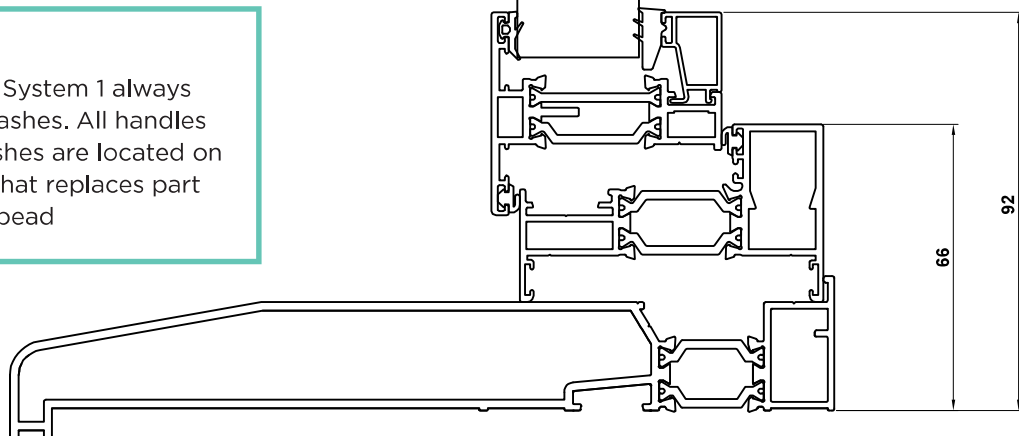


**ZSB169** - Outer Frame  
**ETC324N** - T-Sash  
**ETC333** - T-Transom/Mullion  
**ETC367** - 28mm Glazing Bead  
**ETC158N** - 190mm Cill



**Note:**

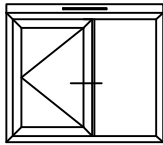
Fixed panes in System 1 always have dummy sashes. All handles on opening sashes are located on a fixing block that replaces part of the glazing bead



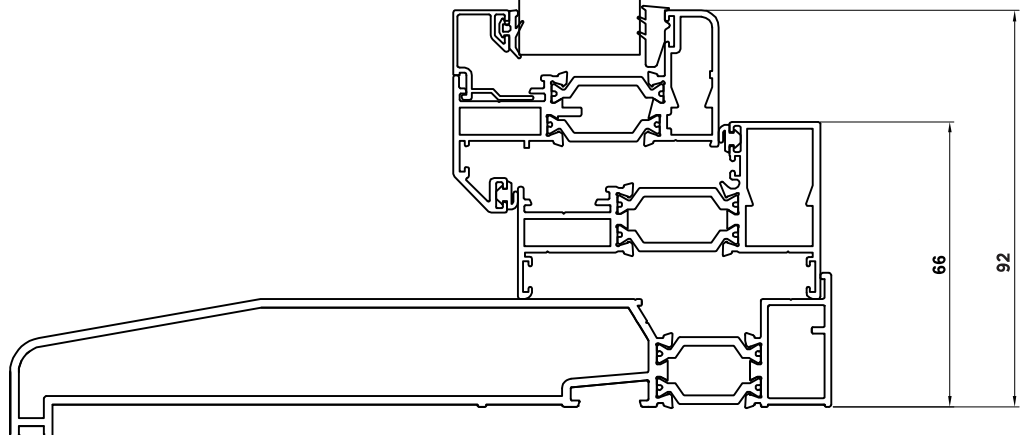
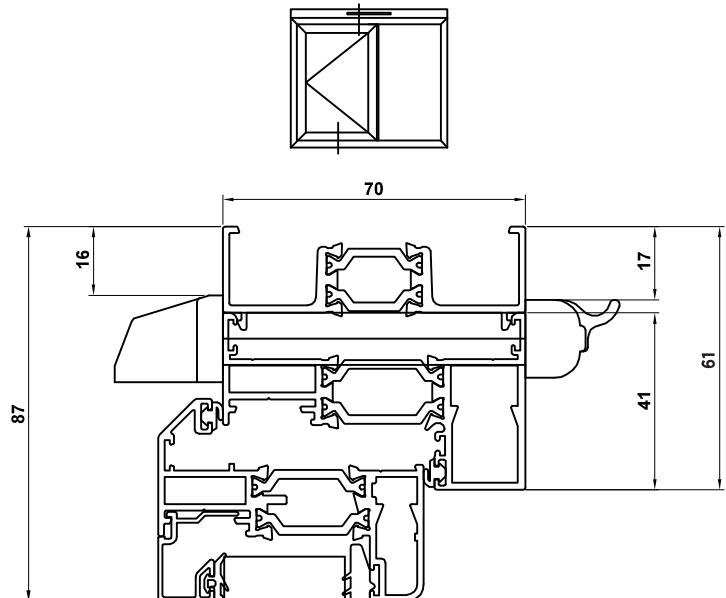
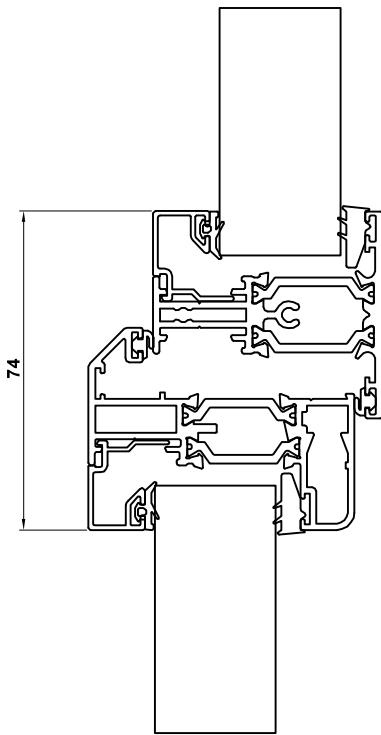
# Casement Window Assembly Drawings

## System 2

Contemporary Frame | Externally Glazed | Bevelled Sash



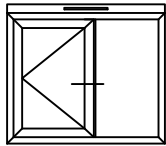
- ZSB169** - Outer Frame
- ETC321N** - Z-Sash
- ETC333** - T-Transom/Mullion
- ETC731** - 28mm Glazing Bead
- ETC458** - 190mm Cill
- DV559** - Outer Frame Extension



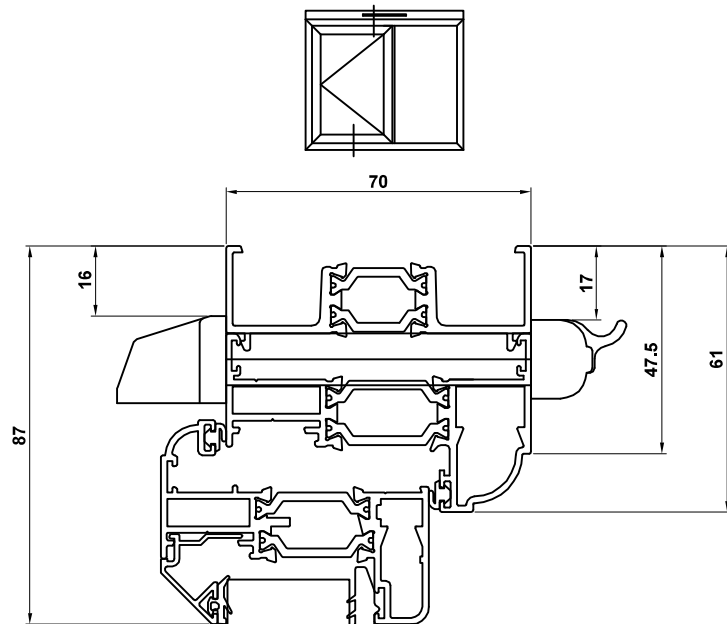
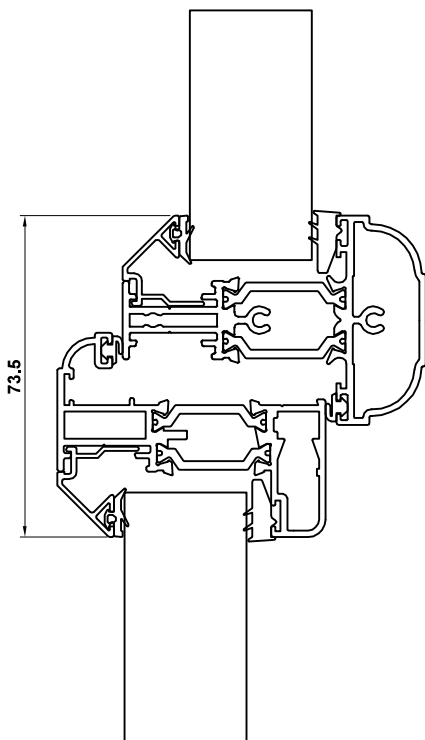
# Casement Window Assembly Drawings

## System 5

Classic-al Frame | Externally Glazed | Featured Sash



- ZSB168** - Outer Frame
- ETC327** - Z-Sash
- ZSB167** - T-Transom/Mullion
- ETC375** - 28mm Glazing Bead
- ETC458** - 190mm Cill
- DV559** - Outer Frame Extension



**Note:**

For floating mullion applications, the Classic-al mullion ZSB167 will need to be replaced with the contemporary mullion ETC333

