

## LANTERN ROOF ORDER/QUOTE FORM

Please tick for  
quote only

Page \_\_\_ of \_\_\_.

Aluminium Direct Fax: 01453 827801

E-mail Orders: [ali.scheduler@customade.co.uk](mailto:ali.scheduler@customade.co.uk)

Company Name (Acc No): \_\_\_\_\_

Signature: \_\_\_\_\_

Preferred Delivery Date: \_\_\_\_\_

Print Name: \_\_\_\_\_

Order Ref: \_\_\_\_\_

Date: \_\_\_\_\_ E-mail confirmation: \_\_\_\_\_

Please Circle Items Required

Colour: White / Grey (7016M) / Black (9005M) /  
 Dual - Grey External (M) & White Internal

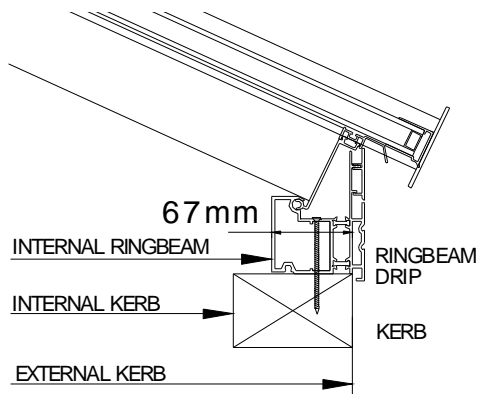
Pitch: 25 Degrees only

24mm Tough, Low-E, Argon, Blk Spacer, DGU Glass spec:  
 Unglazed / Self Clean Solar Blue / Self Clean Solar Neutral

Please Circle Items Required

Roof Vent Qty: \_\_\_\_\_ Spindle colour: Chrome / Brass

Roof Vent Type (note: aluminium external - PVC internal):  
 Manual with pole  
 Electric - wall rocker switch  
 Electric - Rain Sensor & Therm. Control Analogue  
 Electric - Rain Sensor & Therm. Control Digital



External Ringbeam Dimension: (max size 2500 x 4000mm)

Width: \_\_\_\_\_ Length: \_\_\_\_\_

Aluminium Cill: None / 150mm / 190mm / 225mm

Please sketch Lantern requirement below (plan view) showing roof vent positions if applicable;